

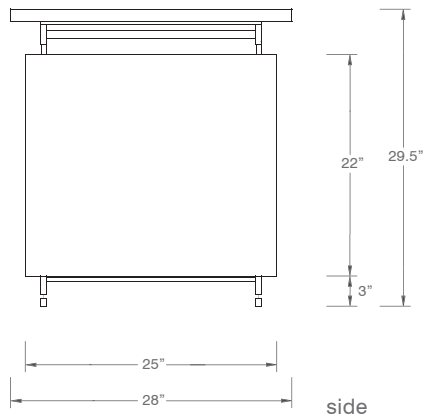
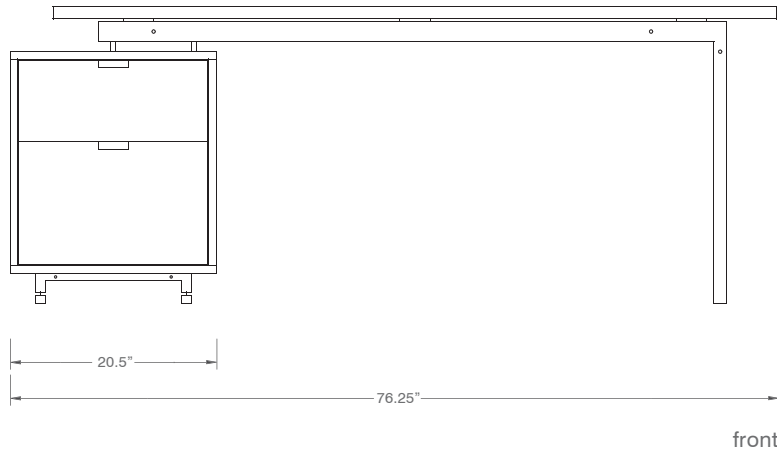


ad6desk

handmade of solid hardwood and cold-rolled steel bar.

Atlas Industries
333 Douglass Street
Brooklyn, NY 11217-3115
718 596 5045
www.atlaseast.com

ad6 desk



Construction:

dovetail-joined, hardwood drawers and cabinet. hardwood desk top.

all metal components are cold-rolled steel bar. all joints are welded, ground and blended for a seamless appearance.

lower file drawer includes file hanger hardware. upper storage drawer includes cold-rolled steel sheet organizer tray. 90 lb. full-extension drawer slides.

4 leveling feet on drawer pedestal.

Finish:

clear satin lacquer on all wood and metal components.

Customization:

shown in white oak and cold-rolled steel bar.

also available in cherry, maple and walnut.

custom dimensions, wood types and finishes are available, please inquire.

Photographs by Meredith Heuer

item	\$ white oak
------	--------------

ad6

\$7,920

Atlas Industries
333 Douglass Street
Brooklyn, NY 11217-3115
718 596 5045
www.atlaseast.com